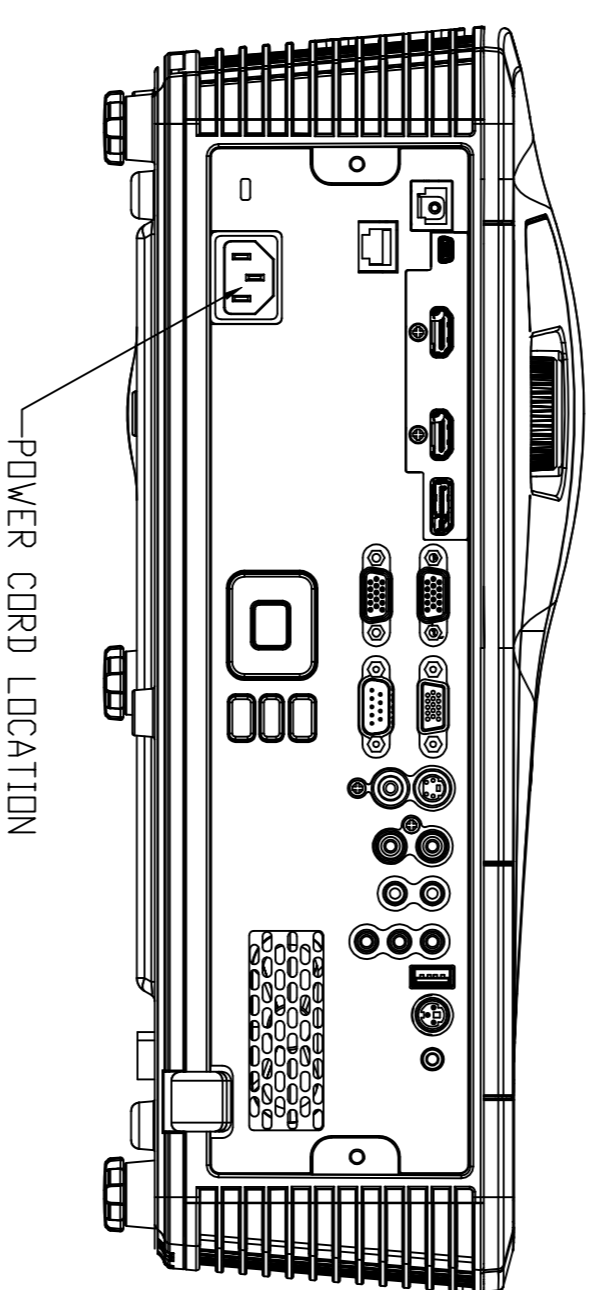
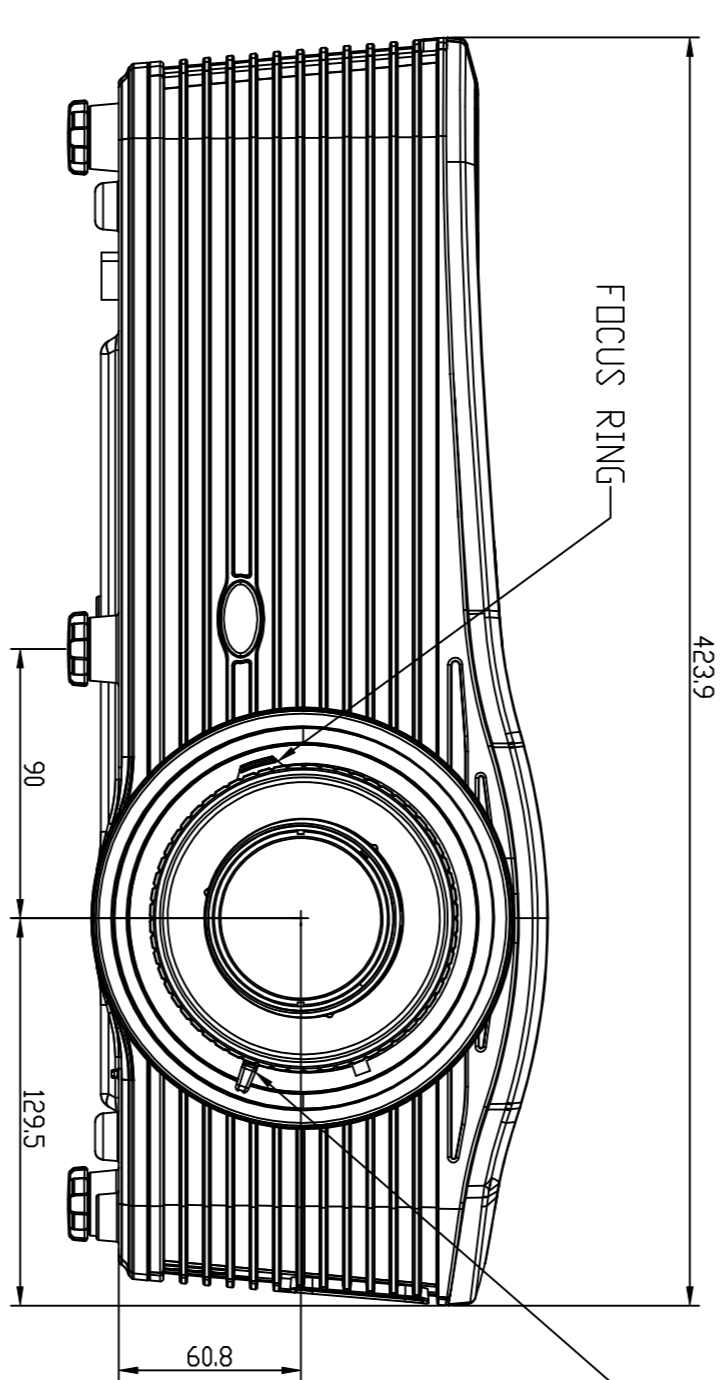
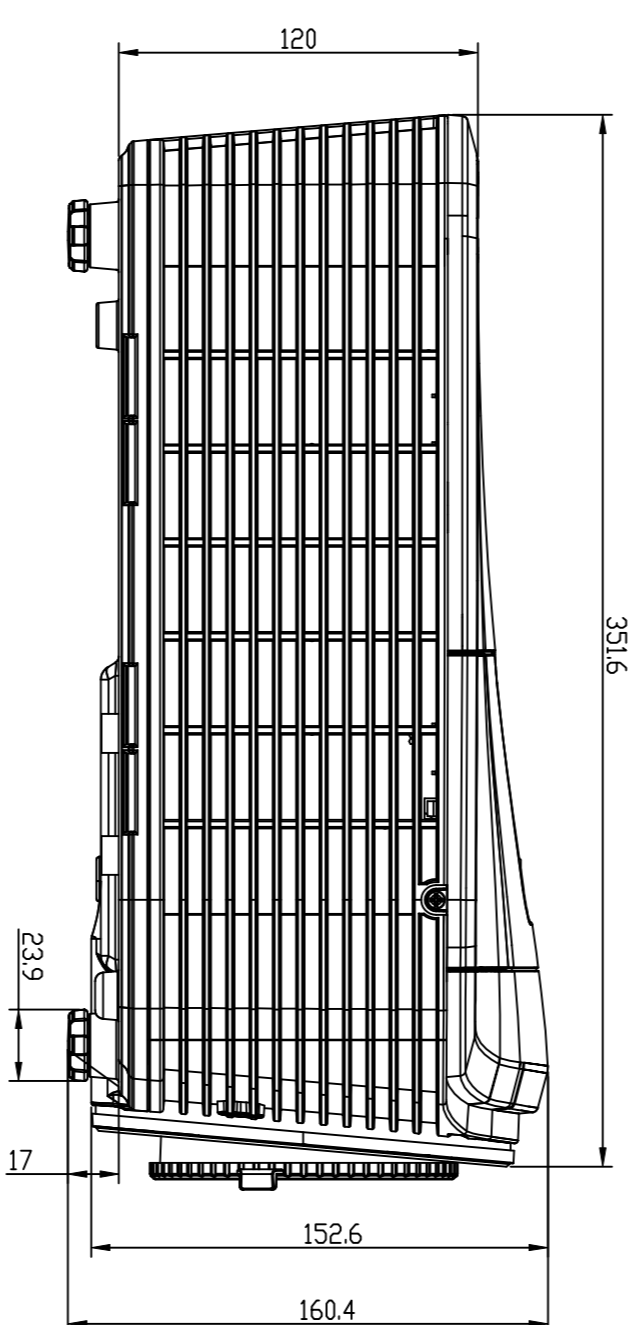


SCALE 2:5

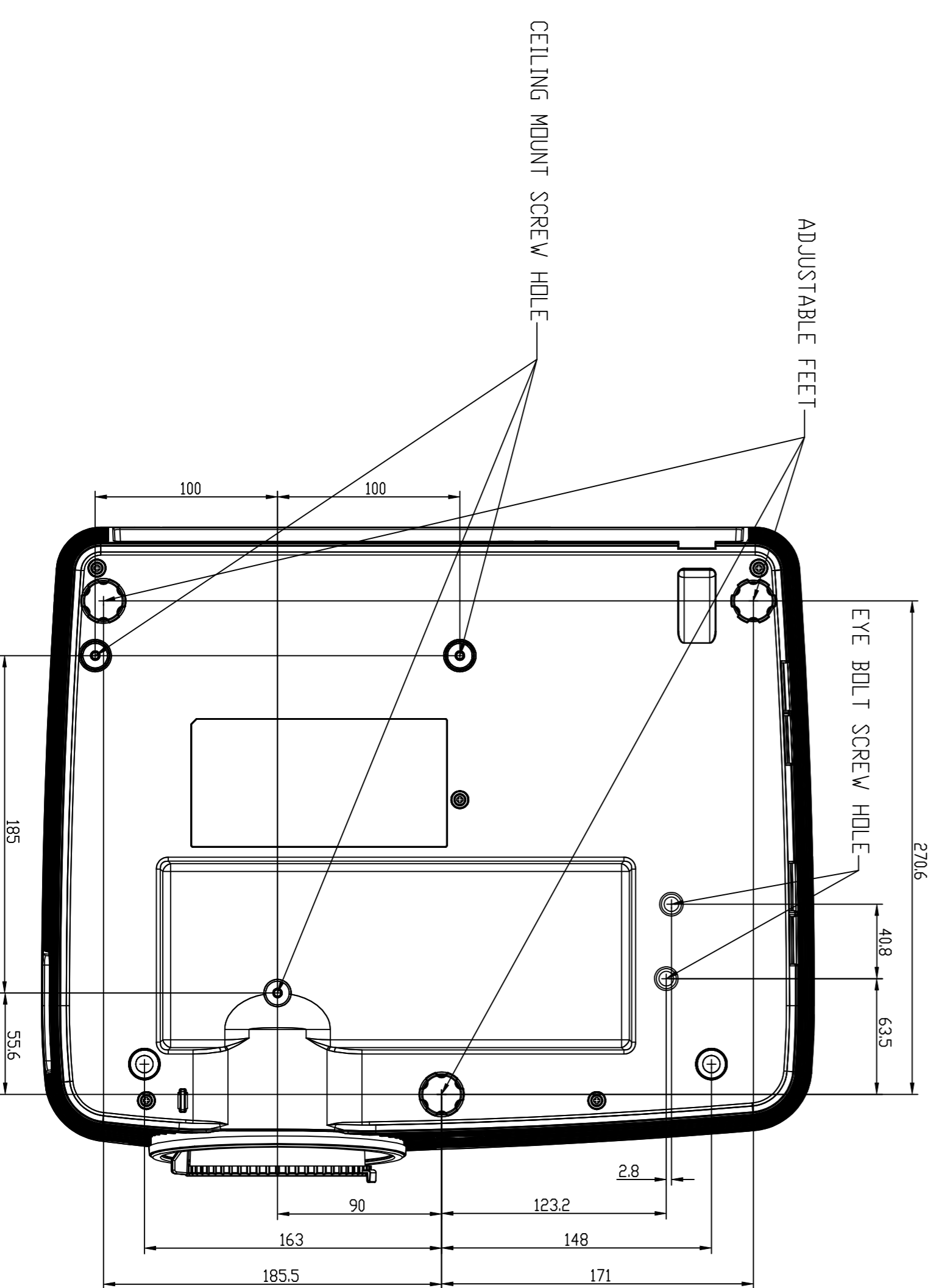
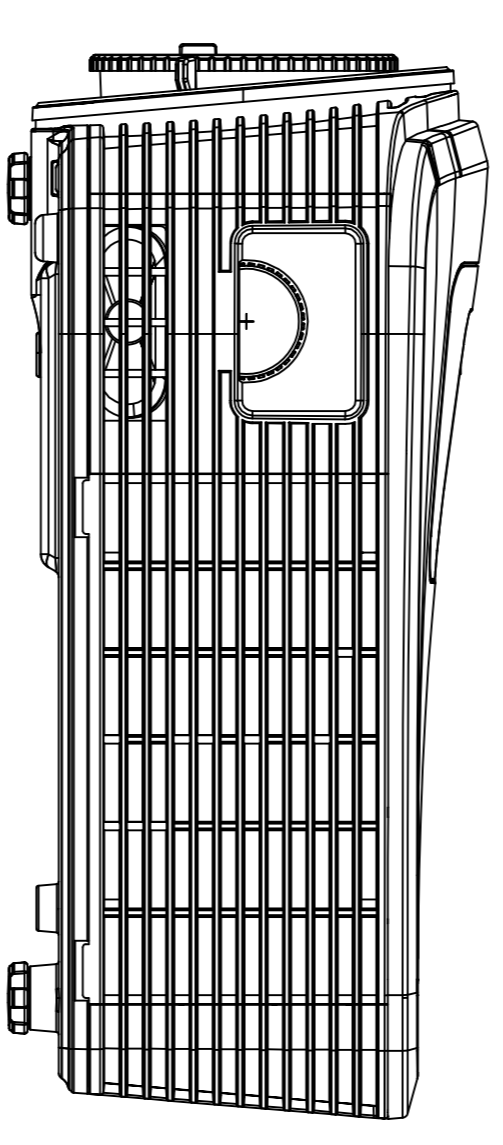


POWER CORD LOCATION



FOCUS RING

ZOOM RING



CEILING MOUNT SCREW HOLE

ADJUSTABLE FEET

EYE BOLT SCREW HOLE

GENERAL NOTE:  
 1.MASS: 6.53 KG  
 2.OPERATING TEMPERATURE RANGE:  
 5°C-40°C @ 0-2,500 FEET  
 5°C-35°C @ 2,500-5,000 FEET  
 5°C-30°C @ 5,000-10,000 FEET  
 3.POWER INPUT: 100V-240V, 50HZ/60HZ, 6.2A

REV	DATE	BY	CHKD	DESCRIPTION
A	10/27/20	JUSTIN	JUSTIN	FINAL RELEASE
1				DESCRIPTION