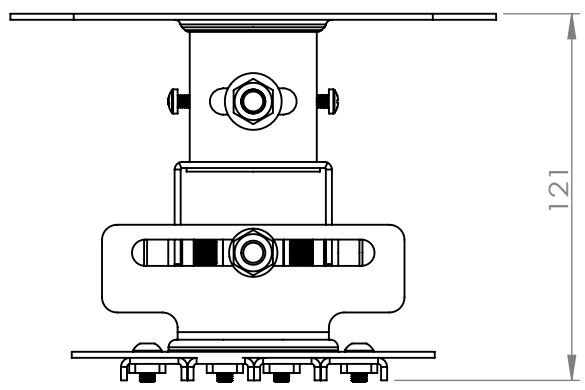
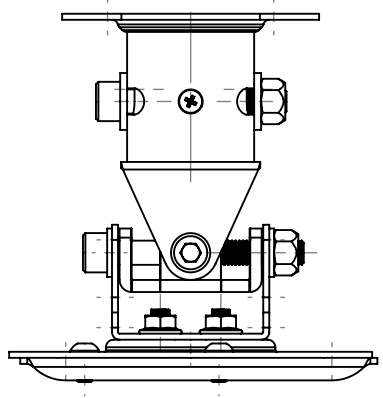
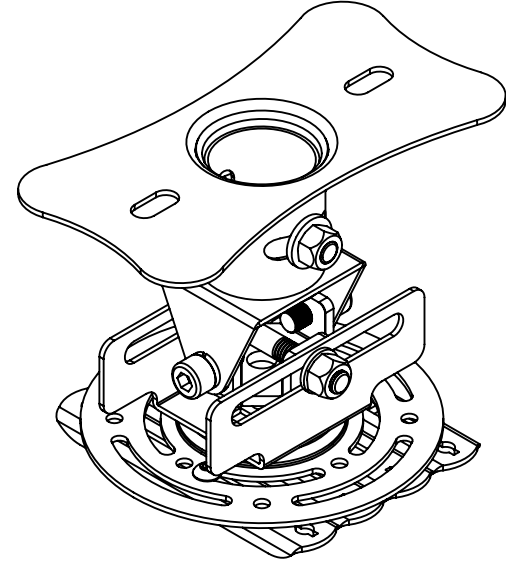
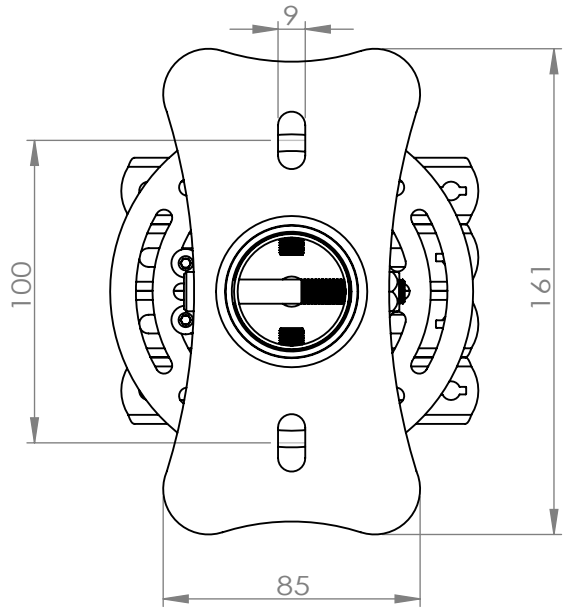


Revision	Description	Modified by	Date



**PROPRETARY AND CONFIDENTIAL**  
 THE INFORMATION CONTAINED IN THIS DRAWING IS THE SOLE PROPERTY OF ABTUS SINGAPORE PTE LTD. ANY REPRODUCTION IN PART OR AS A WHOLE WITHOUT THE WRITTEN PERMISSION OF ABTUS SINGAPORE PTE LTD IS PROHIBITED

TOLERANCE UNLESS OTHERWISE SPECIFIED	
0~6	±0.10
6~30	±0.15
30~120	±0.20
120~400	±0.30
400~1000	±0.50
1000~	±0.80
ANGULAR	±1/4°

ABTUS SINGAPORE PTE LTD			
Part name	OCM818 Projector Ceiling Mount		
Dwg No.	OCM818	Scale	1:2.5
Material	SPCC	Dwn by	PK Lim
Quantity	1	Date	12/17/2014

Weight	g
Revision	A
Projection	
Unit	mm
Project	OCM818
Checked By	Approved By

A B C D E F G

1  
2  
3  
4  
5  
6  
7

100  
161  
9  
85  
121