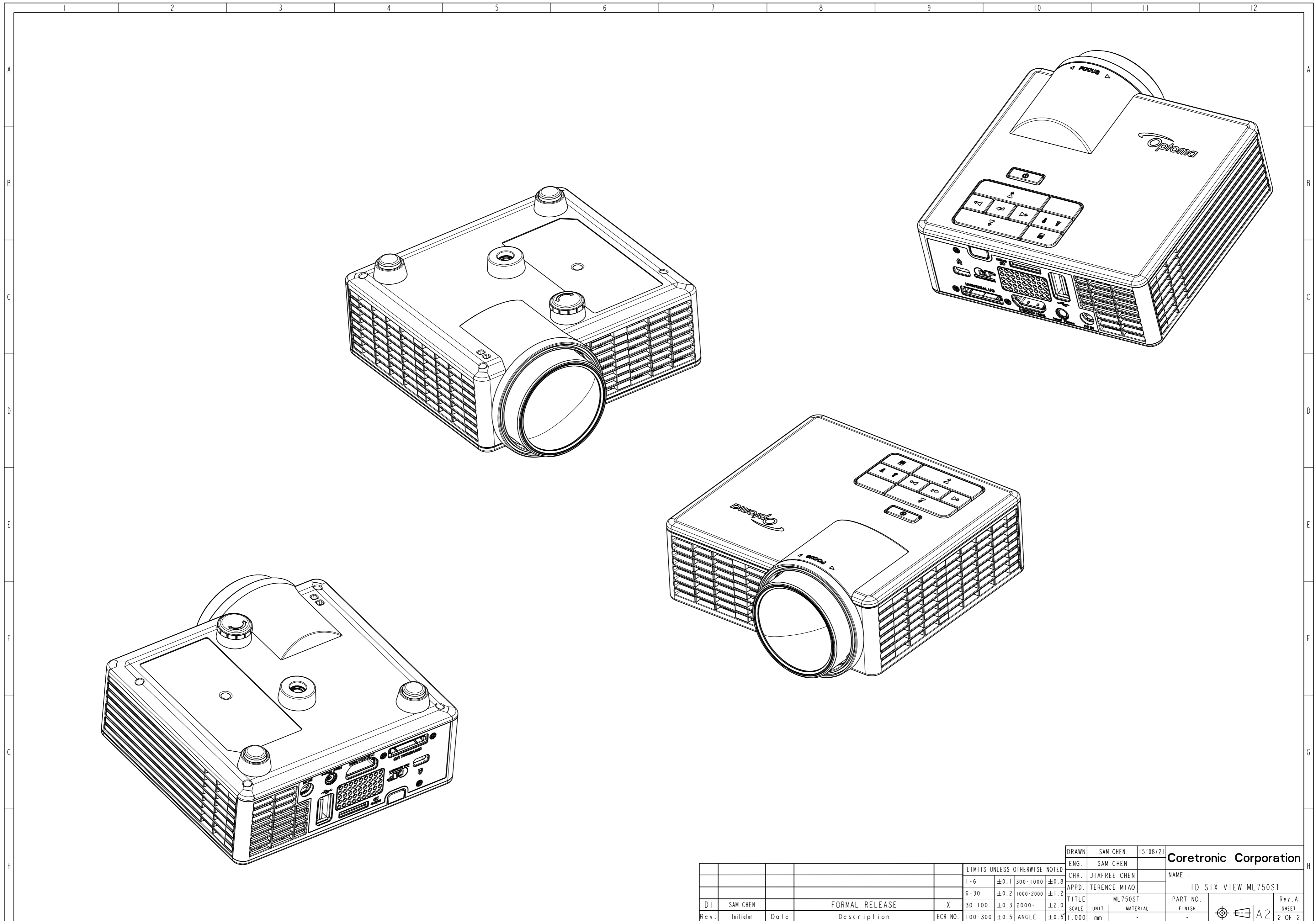


				LIMITS UNLESS OTHERWISE NOTED				DRAWN SAM CHEN 15'08/21		Coretronic Corporation	
				1-6	±0.1	300-1000	±0.8	ENG. SAM CHEN	NAME :		
				6-30	±0.2	1000-2000	±1.2	CHK. JIAFREE CHEN	ID SIX VIEW ML750ST		
				30-100	±0.3	2000-	±2.0	APPD. TERENCE MIAO	PART NO.	-	
				100-300	±0.5	ANGLE	±0.5	TITLE ML750ST	FINISH	-	
DI	SAM CHEN		FORMAL RELEASE	X				SCALE UNIT MATERIAL	1:000 mm -	Rev. A	
Rev.	Initiator	Date	Description	ECR NO.						1 OF 2	SHEET



		LIMITS UNLESS OTHERWISE NOTED				DRAWN SAM CHEN 15'08/21 ENG. SAM CHEN CHK. JIAFREE CHEN APPD. TERENCE MIAO TITLE ML750ST SCALE UNIT MATERIAL FINISH 1:000 mm -	<b>Coretronic Corporation</b> NAME : ID SIX VIEW ML750ST PART NO. - Rev. A
DI	SAM CHEN		FORMAL RELEASE	X	30-100 ±0.3	2000- ±2.0	SHEET 2 OF 2 A2
Rev.	Initiator	Date	Description	ECR NO.	100-300 ±0.5	ANGLE ±0.5	